

# E78

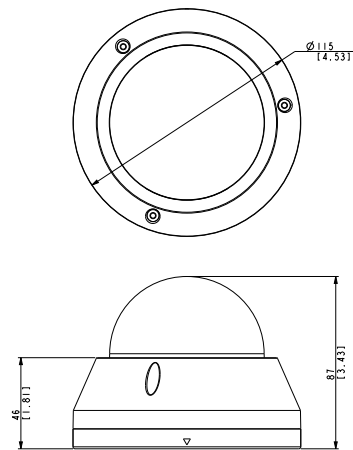
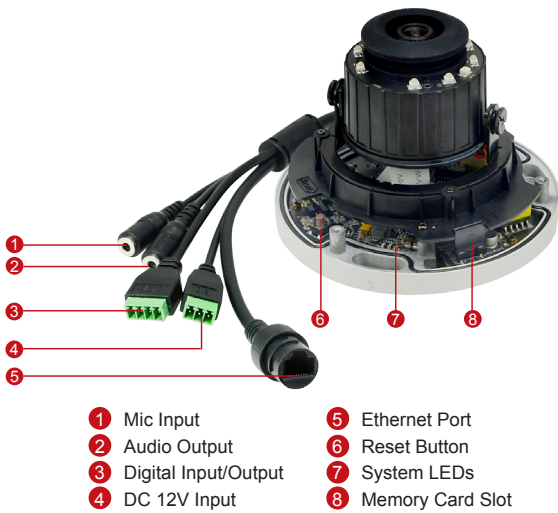
## 2MP Outdoor Dome with D/N, Adaptive IR, Extreme WDR, SLLS, Fixed Lens



- 2 Megapixel with 1080p
- Day & Night with Superior Low Light Sensitivity and Adaptive IR LED
- Fixed Lens with f3.6mm / F1.85
- Extreme WDR (145 dB)
- 60 fps at 1920 x 1080
- Wide Angle
- Weatherproof (IP68) and Vandal Proof (IK10)
- Built-in Analytics

### PHOTO INDICATION

### DIMENSION DIAGRAM



Unit: mm [inch]

### ACCESSORY OPTIONS

Power Supply		
PPOE-0001		IEEE 802.3af PoE Injector for Class 1, 2 or 3 devices, with universal adapter
PPBX-0002		AC 100-240V to DC 12V power adapter with universal connector

Popular Mounting Solutions		
Surface	Accessories not required	
Wall	PMAX-0316	
Pendant	PMAX-0111 PMAX-1400	
Pole	PMAX-0316 PMAX-0506	
Flush	PMAX-1021	
Gang Box	PMAX-0805	
NPT Standard Mounts	PMAX-0809 PMAX-1400	

\* For more mounting solutions, please refer to Project Planner on [www.acti.com](http://www.acti.com)

## PRODUCT SPECIFICATION

### E78

#### • Device

Device Type	Outdoor Dome Camera
Image Sensor	Progressive Scan CMOS
Sensor Size	1/2.8"
Effective Pixels	1944 (H) x 1224 (V) (2.38 MP)
Day / Night	Yes
Low Light Sensitivity	Superior
Minimum Illumination	Color: 0.1 lux at F1.85 (30 IRE, 2400°K); B/W: 0 lux (IR LED on)
Color to B/W Switch	ISP based switch, configurable
Mechanical IR Cut Filter	Yes
IR Sensitivity Range	700~1100nm
IR LED	Adaptive IR LED x 10 (850nm)
IR Working Distance	30 m (0 lux, 30 IRE, Gain 255, Auto shutter mode)
Electronic Shutter	1/5" ~ 1/32000" (manual mode); 1/5" ~ 1/32000" (auto mode)
Horizontal Resolution	1100 TVL
S/N Ratio	56 dB

#### • Lens

Focal Length / Aperture	Fixed focal, f3.6mm / F1.85
Iris	Fixed iris
Focus	Fixed focus
Mount Type	Board mount
Horizontal Viewing Angle	84.5°
Viewing Angle Adjustment	Pan: -175 ~ 175°; Tilt: 5° ~ 175°; Rotate: -175 ~ 175°

#### • Video

Compression	H.264 (Baseline / Main / High profile), MJPEG
Max. Frame Rate vs. Resolution	60 fps at 1920 x 1080; 60 fps at 1280 x 720; 30 fps at 640 x 480; 30 fps at 320 x 240
Multi-Streaming	Simultaneous triple streams based on video configurations
Bit Rate	128 Kbps - 12 Mbps (per stream)
Bit Rate Mode	Constant, Variable
Image Enhancement	Extreme WDR (145 dB); White balance: automatic, hold and manual; Brightness; Contrast; Sharpness (auto); Auto gain control; 2D+3D digital noise reduction; Flickerless; Defogging; Digital image stabilizer
Privacy Mask	4 configurable regions
Text Overlay	User defined text on video
Built-in Analytics	Motion Detection, Tamper, Digital Image Stabilizer, **Line Crossing, **Enter Area, **Missing Object, **Unattended Object
Image Orientation	Image flip, mirror and rotation

#### • Audio

Compression	8kHz, Mono, PCM, 16 bit encoding, G.711
Audio-In	Cable with 3.5mm phone jack
Audio-Out	Cable with 3.5mm phone jack

#### • Network

Protocol & Service	TCP, UDP, HTTP, HTTPS, DHCP, PPPoE, RTP, RTSP, IPv4, IPv6, DNS, DDNS (ACTi), NTP, ICMP, ARP, IGMP, SMTP, FTP, UPnP, SNMP, Bonjour
Ethernet Port	1, Ethernet (10/100 Base-T), RJ-45 connector
Security	IP address filtering; HTTPS encryption; Password protected user levels; Anonymous login; IEEE 802.1X network access control

#### • Alarm

Alarm Trigger	Video motion detection (10 regions); External device through digital input; Sound detection
Alarm Response	Notify control center; Change camera settings; Command other devices; E-mail notification with snapshots; Save video or snapshot to local storage; Upload video or snapshot to FTP Server; Active external device through digital output

#### • Interface

Digital Input	1, Terminal block
Digital Output	1, Terminal block
Local Storage	**MicroSDHC memory card slot (card not included)

#### • General

Power Source / Consumption	PoE Class 2 (IEEE802.3af) / 5.04W; DC 12V (adapter not included) / 3.96W
Weight	551g (1.21lb)
Dimensions (Ø x H)	115 x 87 mm (5.53" x 3.43")
Environmental Casing	Weatherproof (IP68 rated); Vandal proof (IK10 rated); Transparent dome cover
Mount Type	Surface, Wall, Pendant, Pole, Flush, Gang box
Starting Temperature	-20°C ~ 50°C (-4°F ~ 122°F)
Operating Temperature	-20°C ~ 50°C (-4°F ~ 122°F)
Operating Humidity	10% ~ 85% RH
Approvals	CE (EN 55022 Class B, EN 55024), FCC (Part15 Subpart B Class B); IP68, IK10, NEMA 4X, UL (for optional power adapter and PoE injector)

#### • Integration

Unified Solution	Fully compatible with ACTi software
ISV Integration	Software Development Kit (SDK) available; **ONVIF compliant
Firmware Access Browser	Microsoft Internet Explorer 8.0 or newer (full functionality) Safari with QuickTime installed, and other browsers with VLC installed (partial functionality)

\*\* Functionalities will be available in the future firmware update.

\* All specifications are subject to change without notice.

\* All brand names and registered trademarks are the property of their respective owners.

[www.acti.com](http://www.acti.com)

